

STANDARD EQUIPMENT

- Depth scale and adjustable depth stop
- Worklight
- Automatic tool ejector
- Security microswitch on cover
- Thermo-magnetic motor breaker switch
- Emergency STOP push button
- Right-left turn
- Low voltage electric equipment
- Safety drill guard with microswitch
- CE mark



EKS-25

ø 18 mm ø 25 mm	M 14 M 18	0,51/1,05 Kw 0,71/1,35 Kw	MT 3 MT 3	120 mm 120 mm	ø 100 mm ø 100 mm	250 mm 250 mm



EKL-25
Standard column
drilling machine



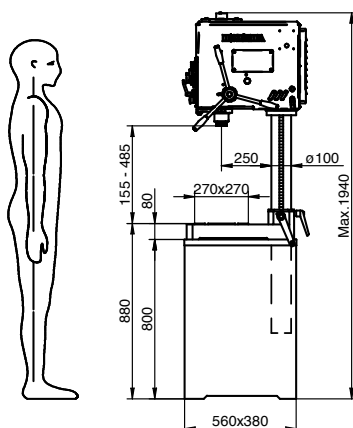
EKS-18
With hidroblock



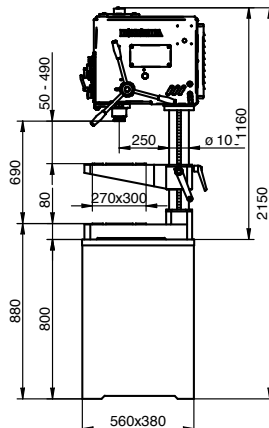
EKS-18
With lead screw system

DIMENSIONS

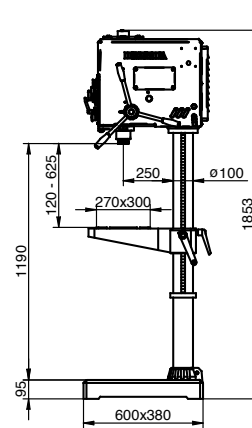
Round column



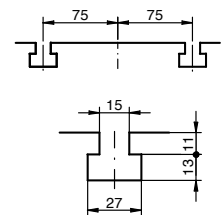
EKS 18
EKS 25
EKS 30



EKM 18
EKM 25
EKM 30

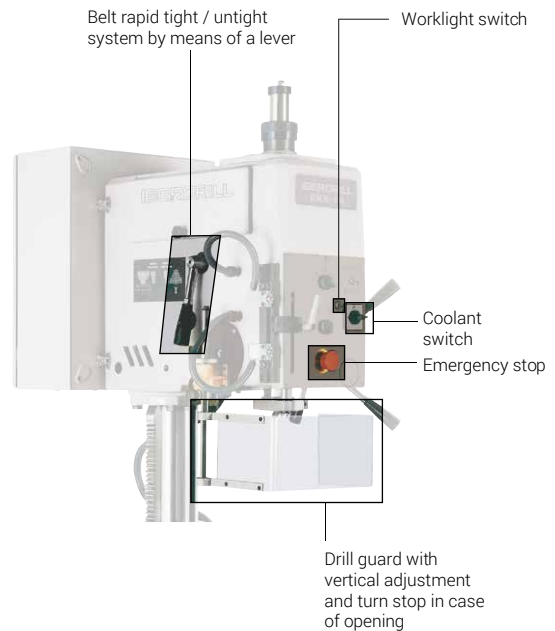
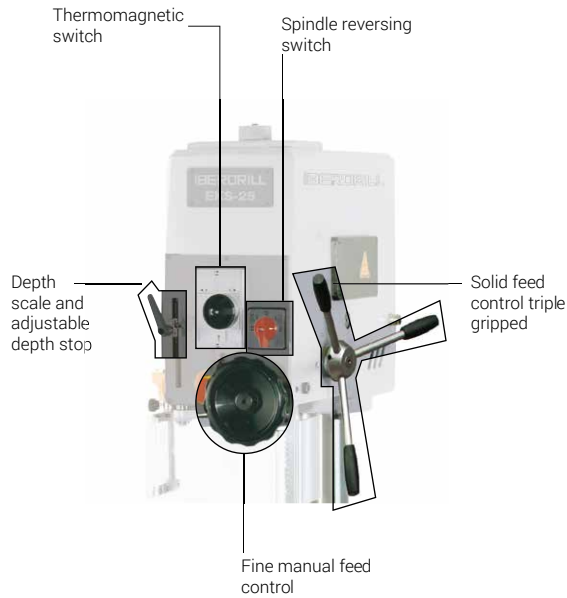


EKL 18
EKL 25
EKL 30



EK SERIES

Bench and Column drilling machines



|| CHARACTERISTICS

	EKS-18	EKM-18	EKS-25	EKM-25	EKS-30	EKM-30
	EKL-18		EKL-25		EKL-30	

		EKS-18	EKM-18	EKS-25	EKM-25	EKS-30	EKM-30
		EKL-18		EKL-25		EKL-30	
Maximum drilling capacity in steel St. 50/60	[ø mm]	18		25		30	
Maximum tapping capacity in steel St. 50/60	[mm]	M14		M18		M25	
Morse Taper MT	[Nr.]			3			
Maximum spindle stroke (drilling depth)	[mm]			120			
Main motor power	[HP (Kw)]	0,68 - 1,4 (0,51 - 1,05)		0,95 - 1,8 (0,71 - 1,35)		1,2-2 (0,9-1,5)	
Transmission				Belt			
Number of speeds				10			
Speed range with motor at 750/1500 rpm 50 Hz 3Ph. Upon request: Motor at 900/1800 rpm 60 Hz 3Ph.	[rpm]	245-355-490-710-835-1240-1670-2000-2480-4000 295-425-590-850-1000-1490-2000-2400-2980-4800					
Feed	[mm]	Manual					
Worktable dimensions (LxW)	[mm]	270 x 270 (EKS/EKM 18) 270 x 300 (EKL 18)		270 x 270 (EKS/EKM 25) 270 x 300 (EKL 25)		270 x 270 (EKS/EKM 30) 270 x 300 (EKL 30)	
Column diameter	[mm]	100					
Distance from spindle centre to column face	[mm]	250					
Net weight	[Kg]	190 250 (EKL 18)	230	190 250 (EKL 25)	230	190 250 (EKL 30)	230
Gross weight with packing	[Kg]	200 315 (EKL 18)	250	315 325 (EKL 25)	200	250 325 (EKL 30)	325
Packing dimensions (length x width x height)	[m]	0,7x0,57x1,36 2,10x0,57x0,8	0,7x0,571,84	0,7x0,57x1,36 2,10x0,57x0,8	0,7x0,571,84	0,7x0,57x1,36 2,10x0,57x0,8	0,7x0,571,84

CABINETS / BASES / CONTAINERS / LIGHT



PKA
Floor cabinet with 2 shelves.
Available for **EK/T** series.



PKB
Floor cabinet with door and
drawer. Available for **EK/T** series.



ERC
Coolant system
(independent container).
Available for **EK/T** series.



ERB
"T" slotted machine base with
coolant pump.
Standard for **Z/X/A/B/C** series.

TABLES INCLUDING SUPPORTS



MG
Rotating table plate.
Optional for **EKL/TL** series.

CROSS TABLES



MB1
Cross table.
X = 220 mm.
Y = 140 mm.
Table net weight = 25 kg.
Available for **EK/T** series.

TOOL HOLDERS



DRILL-CHUCKS

Self-centering drill-chuck from dia. 3 to dia.16 Morse taper 3 & 4. Available for all series.



TAPHOLDER

Morse taper, tapholder and tapping collets.



REDUCING SLEEVES

Self-centering drill-chuck from dia.1 to 16 Morse taper 3-4 & 5. Available for all series.

SPEED CONTROL / MEASURE / TAPPING



VE

Standard for **Z(34-40)**, **BC-40VE** and **BC-50VE**.

Available for other models upon request.



TAK

Digital rpm counter. Standard for **Z (34-40)** and **C** serie. Available for other models upon request.



LBC

Depth scale read-out system. Available for all series.

STANDARD VICES



SL-116

Vise with fixed base (Light Series).
Maximum opening: 116 mm
Jaw width: 105 mm
Jaw height: 31,5 mm
Net weight: 8,5 kg.
Available for [EK/T/Z/X/A/B/C](#) series.



SL-160

Vise with fixed base (Light Series).
Maximum opening: 160 mm
Jaw width: 125 mm
Jaw height: 41,5 mm
Net weight: 4,7 kg.
Available for [EK/T/Z/X/A/B/C](#) series.

RAPID CLOSE AND SELF-CENTERING VICES



FR-80

Opening-cam rapid close vice.
Maximum opening: 80 mm.
Jaw width: 80 mm.
Jaw height: 20 mm.
Net weight: 6 Kg.
Available for all series.



FR-125

Opening-cam rapid close vice.
Maximum opening: 125 mm.
Jaw width: 125 mm.
Jaw height: 30 mm.
Net weight: 23 Kg.
Available for all series.



FK-103

Self-centering vice.
Maximum opening: 103 mm.
Jaw width: 103 mm.
Jaw height: 20 mm.
Net weight: 12 Kg.
Available for all series.

CHUCKS, FOOT PEDALS...



PST

Cycle or spindle turn START foot pedal.

PSR

Spindle turn reverse foot pedal (for tapping)
Available for all series.



PEM

Emergency STOP foot pedal.
Available for all series.